

General characteristics

Family name	Park MA
Luminaire type	Park luminaire
Integrated driver	Yes
Installation options	On pole
Pole opening size	ø60mm
Intelligent control	None
Certificates	CE, RoHS
Warranty	2 years
Materials	Aluminum, PC, ABS

Light technical characteristic

Luminaire luminous flux (+/- 5%)	from 2150lm to 4000lm
Luminous efficacy (+/- 5%)	up to 88lm/W
Color temperature (+/- 5%)	4000K
CRI	>80
Beam angle	90°, 120°
Color consistency	<6SDCM

Electrical characteristics

Wattage (+/- 5%)	45W
Voltage	100-277V
Voltage frequency	50-60Hz
Power factor	>0,9
Energy efficiency label	A+

Operating characteristics

Lifetime	30 000h
Lumen decay	>0,7
IP	65
IK	10
Working temperature	from -30° to 50°C
Storage temperature	from -30° to 60°C
Mercury content	0mg

LP001MA

Luminaire doesn't
contain light source



LP045MA1



LP045MA2



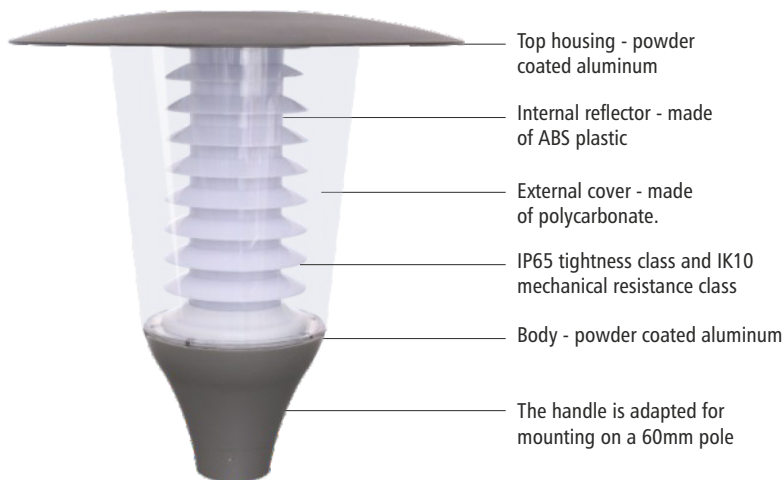
index	power	IP	luminous flux	beam angle	voltage	color temperature	CRI	PF	weight net/gross	pole opening size	lamp dimensions
LP001MA	-	65	-	-	-	-	>80	>0,9	6,5kg/7kg	ø 60mm	ø440xH470mm
LP045MA1	45W	65	4000lm	90°	100-277V	4000K	>80	>0,9	6,5kg/7kg	ø 60mm	ø440xH470mm
LP045MA2	45W	65	2150lm	120°	100-277V	4000K	>80	>0,9	6,5kg/7kg	ø 60mm	ø440xH470mm

*in accordance with the manufacturer's warranty conditions

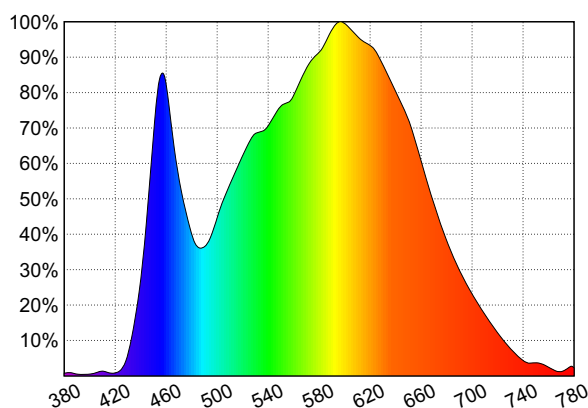
Luminaire suitable for outdoor usage.
No accent lighting.



IEC 62471
IEC 62560

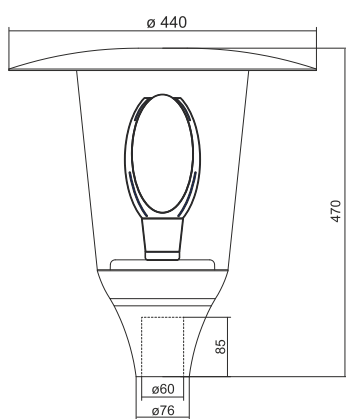


Spectrum 4000K

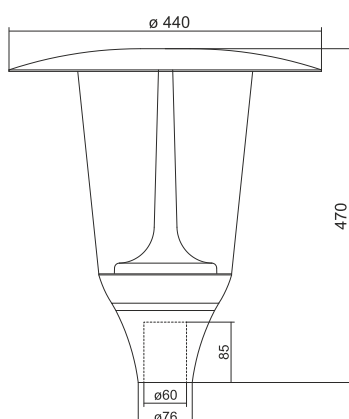


Technical drawing

LP001MA



LP045MA1



LP045MA2

